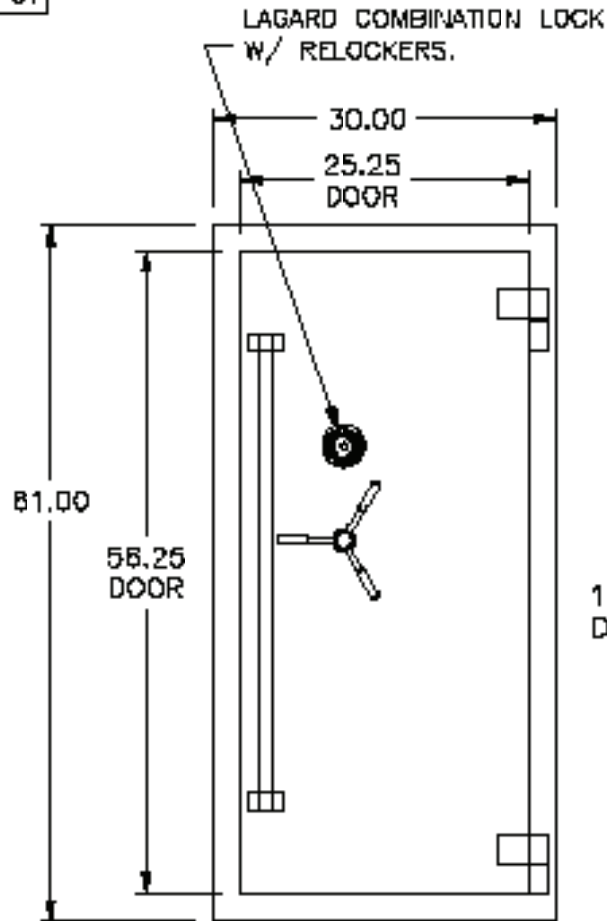
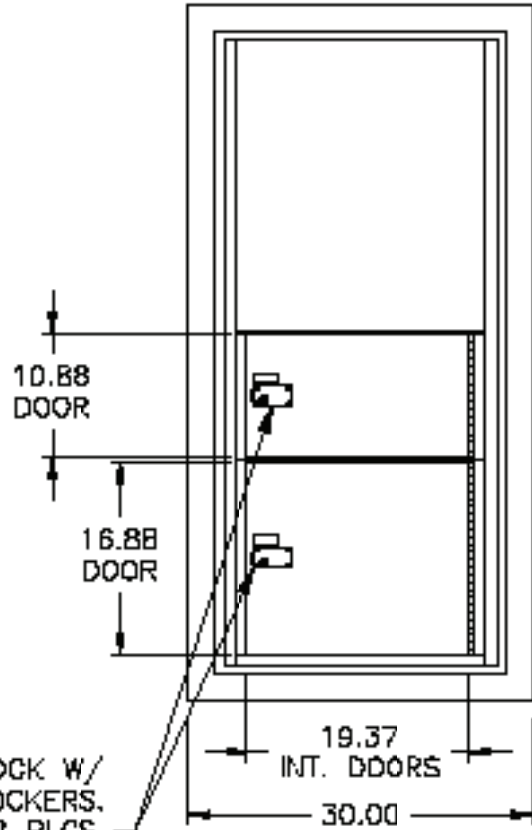


P110409-01

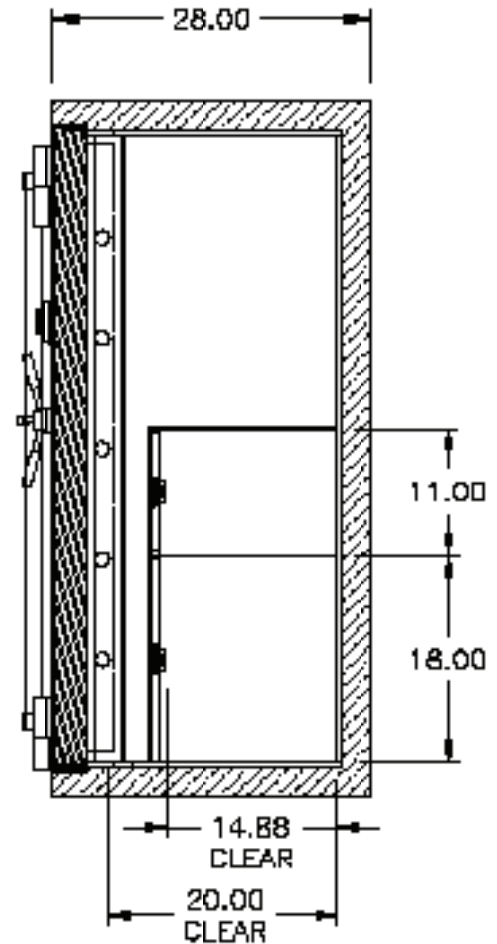
REVISION NOTICE			
REV	NOTICE	BY	DATE
A	PROPOSAL	AJF	11/04/09



FRONT VIEW



FRONT VIEW
(DOOR OMITTED FOR CLARITY)



SIDE VIEW

NOTES: (UNLESS OTHERWISE SPECIFIED)

1. OUTSIDE DIMENSIONS: 81" x 30" x 28"
2. CONSTRUCTION: UL LISTED TL-15 BODY & DOOR.
3. LOCKS:
MAIN DOOR-LAGARD COMBINATION LOCK W/ RELOCKERS.
INT. COMPRTMNTS-X2 DUAL NOSE LOCKS W/ RELOCKERS.
4. B.D.S. 24 / 7 CUSTOMER SERVICE TAGS & LOGOS.
5. APPROX. WEIGHT: 2,750 LBS.

ALL DIMENSIONS IN INCHES. THIRD ANGLE PROJECTION	SAFEandVAULT Store.com ALL OVER THE WORLD IT'S A SAFE VAULT 425 W 2nd Ave. Spokane, WA 99201 1-800-207-2259	TITLE PROPOSAL R-15 SG-5 - 61" X 30" X 28" W/INT.
BLACK	DESIGN A. RANGEL CHECKED DATE JOB NO. APPROVED	REV P1 DATE 11/04/09 SCALE NONE SHEET 1 OF 1 DWG NO. P110409-01